

**RFQ NO: 2022889. SUPPLY AND DELIVERY OF OFFICE FURNITURE FOR DMP AT
NHLS SANDRINGHAM COMPUS**

REQUEST FOR QUOTATION



**RFQ NO: 2022889. SUPPLY AND DELIVERY OF OFFICE FURNITURE FOR DMP AT NHLS SANDRINGHAM
COMPUS**

RFQ NO: 2022889

COMPULSORY BRIEFING SESSION: N/A

CLOSING DATE AND TIME: 30 APRIL 2024 AT 11:00AM

**RFQ SUBMISSION ADDRESS: NHLS RECEPTION, RFQ BOX, NO.1 MODDERFONTEIN ROAD, SANDRINGHAM,
JHB**

**RFQ NO: 2022889. SUPPLY AND DELIVERY OF OFFICE FURNITURE FOR DMP AT
NHLS SANDRINGHAM COMPUS**

CONTENTS	PAGE
1 PART A INVITATION TO BID SBD 1.....	3
2 TERMS AND CONDITIONS OF REQUEST FOR QUOTATION (RFQ)	5
3 PRICING SCHEDULE	7
4 DECLARATION OF INTEREST SBD4.....	10
5 PREFERENCE POINTS CLAIM FORM IN TERMS OF THE PREFERENTIAL PROCUREMENT REGULATIONS, 2017	13
6 DECLARATION CERTIFICATE FOR LOCAL PRODUCTION AND CONTENT FOR DESIGNATED SECTORS .	
7 CERTIFICATE OF QCQUITANCE WITH RFQ TERMS AND CONDITIONS AND APPLICABLE DOCUMENTS.....	19
8 AUTHORITY FOR SIGNATORY.....	19
9 TERMS OF REFERENCE / SPECIFICATION.....	20
10 TECHNICAL / FUNCTIONAL EVALUATION CRITERIA.....	21
TECHNICAL / FUNCTIONAL EVALUATION CRITERIA:.....	
11 SCHEDULE OF WORK CARRIED OUT BY THE BIDDER	23
12 BID DOCUMENT CHECKLIST	24
13 GENERAL CONDITIONS OF CONTRACT	24

RFQ NO: 2022889. SUPPLY AND DELIVERY OF OFFICE FURNITURE FOR DMP AT NHLS SANDRINGHAM COMPUS

**PART A Invitation to Bid
SBD 1**

PART A INVITATION TO BID

YOU ARE HEREBY INVITED TO BID FOR REQUIREMENTS OF THE NATIONAL HEALTH LABORATORY SERVICE (NHLS)					
BID NUMBER:	RFQ No: 2022889	CLOSING DATE:	30 APRIL 2024	CLOSING TIME:	11:00
DESCRIPTION	RFQ NO: 2022889. SUPPLY AND DELIVERY OF OFFICE FURNITURE FOR DMP AT NHLS SANDRINGHAM COMPUS				
BID RESPONSE DOCUMENTS MAY BE DEPOSITED IN THE BID BOX SITUATED AT (STREET ADDRESS)					
NHLS RECEPTION RFQ BOX NO.1 MODDERFONTEIN ROAD, SANDRINGHAM, JOHANNESBURG					
BIDDING PROCEDURE ENQUIRIES MAY BE DIRECTED TO			TECHNICAL ENQUIRIES MAY BE DIRECTED TO:		
CONTACT PERSON	PROCUREMENT OFFICE		CONTACT PERSON	PROCUREMENT OFFICE	
TELEPHONE NUMBER	011 386 6000		TELEPHONE NUMBER	011 386 6000	
FACSIMILE NUMBER	011 386 6000		FACSIMILE NUMBER	011 386 6000	
E-MAIL ADDRESS	procurementcorporate@nhls.ac.za		E-MAIL ADDRESS	procurementcorporate@nhls.ac.za	
SUPPLIER INFORMATION					
NAME OF BIDDER					
POSTAL ADDRESS					
STREET ADDRESS					
TELEPHONE NUMBER	CODE		NUMBER		
CELLPHONE NUMBER					
FACSIMILE NUMBER	CODE		NUMBER		
E-MAIL ADDRESS					
VAT REGISTRATION NUMBER					
SUPPLIER COMPLIANCE STATUS	TAX COMPLIANCE SYSTEM PIN:		OR	CENTRAL SUPPLIER DATABASE No:	MAAA

**RFQ NO: 2022889. SUPPLY AND DELIVERY OF OFFICE FURNITURE FOR DMP AT
NHL SANDRINGHAM COMPUS**

B-BBEE STATUS LEVEL VERIFICATION CERTIFICATE	TICK APPLICABLE BOX] <input type="checkbox"/> Yes <input type="checkbox"/> No	B-BBEE STATUS LEVEL SWORN AFFIDAVIT	[TICK APPLICABLE BOX] <input type="checkbox"/> Yes <input type="checkbox"/> No
[A B-BBEE STATUS LEVEL VERIFICATION CERTIFICATE/ SWORN AFFIDAVIT (FOR EMES & QSEs) MUST BE SUBMITTED IN ORDER TO QUALIFY FOR PREFERENCE POINTS FOR B-BBEE]			
ARE YOU THE ACCREDITED REPRESENTATIVE IN SOUTH AFRICA FOR THE GOODS /SERVICES /WORKS OFFERED?	<input type="checkbox"/> Yes <input type="checkbox"/> No [IF YES ENCLOSE PROOF]	ARE YOU A FOREIGN BASED SUPPLIER FOR THE GOODS /SERVICES /WORKS OFFERED?	<input type="checkbox"/> Yes <input type="checkbox"/> No [IF YES, ANSWER THE QUESTIONNAIRE BELOW]
QUESTIONNAIRE TO BIDDING FOREIGN SUPPLIERS			
IS THE ENTITY A RESIDENT OF THE REPUBLIC OF SOUTH AFRICA (RSA)?		<input type="checkbox"/> YES <input type="checkbox"/> NO	
DOES THE ENTITY HAVE A BRANCH IN THE RSA?		<input type="checkbox"/> YES <input type="checkbox"/> NO	
DOES THE ENTITY HAVE A PERMANENT ESTABLISHMENT IN THE RSA?		<input type="checkbox"/> YES <input type="checkbox"/> NO	
DOES THE ENTITY HAVE ANY SOURCE OF INCOME IN THE RSA?		<input type="checkbox"/> YES <input type="checkbox"/> NO	
IS THE ENTITY LIABLE IN THE RSA FOR ANY FORM OF TAXATION?		<input type="checkbox"/> YES <input type="checkbox"/> NO	
IF THE ANSWER IS “NO” TO ALL OF THE ABOVE, THEN IT IS NOT A REQUIREMENT TO REGISTER FOR A TAX COMPLIANCE STATUS SYSTEM PIN CODE FROM THE SOUTH AFRICAN REVENUE SERVICE (SARS) AND IF NOT REGISTER AS PER 2.3 BELOW.			

**PART B
TERMS AND CONDITIONS FOR BIDDING**

- | |
|--|
| 1. BID SUBMISSION: |
| 1.1. BIDS MUST BE DELIVERED BY THE STIPULATED TIME TO THE CORRECT ADDRESS. LATE BIDS WILL NOT BE ACCEPTED FOR CONSIDERATION. |
| 1.2. ALL BIDS MUST BE SUBMITTED ON THE OFFICIAL FORMS PROVIDED–(NOT TO BE RE-TYPED) OR IN THE MANNER PRESCRIBED IN THE BID DOCUMENT. |
| 1.3. THIS BID IS SUBJECT TO THE PREFERENTIAL PROCUREMENT POLICY FRAMEWORK ACT, 2000 AND THE PREFERENTIAL PROCUREMENT REGULATIONS, 2022, THE GENERAL CONDITIONS OF CONTRACT (GCC) AND, IF APPLICABLE, ANY OTHER SPECIAL CONDITIONS OF CONTRACT. |
| 1.4. THE SUCCESSFUL BIDDER WILL BE REQUIRED TO FILL IN AND SIGN A WRITTEN CONTRACT FORM (SBD7). |

RFQ NO: 2022889. SUPPLY AND DELIVERY OF OFFICE FURNITURE FOR DMP AT NHLS SANDRINGHAM COMPUS

2. TAX COMPLIANCE REQUIREMENTS
2.1 BIDDERS MUST ENSURE COMPLIANCE WITH THEIR TAX OBLIGATIONS.
2.2 BIDDERS ARE REQUIRED TO SUBMIT THEIR UNIQUE PERSONAL IDENTIFICATION NUMBER (PIN) ISSUED BY SARS TO ENABLE THE ORGAN OF STATE TO VERIFY THE TAXPAYER’S PROFILE AND TAX STATUS.
2.3 APPLICATION FOR TAX COMPLIANCE STATUS (TCS) PIN MAY BE MADE VIA E-FILING THROUGH THE SARS WEBSITE WWW.SARS.GOV.ZA.
2.4 BIDDERS MAY ALSO SUBMIT A PRINTED TCS CERTIFICATE TOGETHER WITH THE BID.
2.5 IN BIDS WHERE CONSORTIA / JOINT VENTURES / SUB-CONTRACTORS ARE INVOLVED, EACH PARTY MUST SUBMIT A SEPARATE TCS CERTIFICATE / PIN / CSD NUMBER.
2.6 WHERE NO TCS PIN IS AVAILABLE BUT THE BIDDER IS REGISTERED ON THE CENTRAL SUPPLIER DATABASE (CSD), A CSD NUMBER MUST BE PROVIDED.
2.7 NO BIDS WILL BE CONSIDERED FROM PERSONS IN THE SERVICE OF THE STATE, COMPANIES WITH DIRECTORS WHO ARE PERSONS IN THE SERVICE OF THE STATE, OR CLOSE CORPORATIONS WITH MEMBERS PERSONS IN THE SERVICE OF THE STATE.”

NB: FAILURE TO PROVIDE / OR COMPLY WITH ANY OF THE ABOVE PARTICULARS MAY RENDER THE BID INVALID.

SIGNATURE OF BIDDER

CAPACITY UNDER WHICH THIS BID IS SIGNED:.....

(Proof of authority must be submitted e.g. company resolution)

DATE:

1 TERMS AND CONDITIONS OF REQUEST FOR QUOTATION (RFQ)

- a) This document may contain confidential information that is the property of the NHLS and the Client. NHLS
- b) No part of the contents may be used, copied, disclosed or conveyed in whole or in part to any party in any manner whatsoever other than for preparing a proposal in response to this Bid, without prior written permission from NHLS Ltd and the Client.
- c) All Copyright and Intellectual Property herein vests with NHLS and its Client.
- d) Late and incomplete submissions will not be accepted.
- e) Price Declaration must be completed, and Should the total RFQ prices differ, the one indicated on

RFQ NO: 2022889. SUPPLY AND DELIVERY OF OFFICE FURNITURE FOR DMP AT NHLS SANDRINGHAM COMPUS

the price declaration shall be considered the correct price.

- f) Any bidder who has reasons to believe that the RFQ specification is based on a specific brand must inform NHLS before RFQ closing date.
- g) Bidders are required to submit a valid Tax Clearance Certificate and Tax clearance verification PIN, Failure to submit the Tax Pin and valid Tax Clearance Certificate will result in the invalidation of this RFQ.
- h) It is the responsibility of the bidder to ensure that NHLS is in possession of the bidder’s valid Tax Clearance certificate. The onus is on the bidder to ensure that NHLS receives a valid Tax Certificate as soon as the validity of the said certificate expires.
- i) A compulsory site meeting/briefing will be conducted at NHLS SANDRINGHAM. **N/A**
- j) for a period of ± hours. The briefing session will start punctually and information will not be repeated for the benefit of Respondents arriving late.
- k) Attendance Register must be submitted with your Proposal as proof of attendance is required for a compulsory site meeting and/or RFQ briefing.
- l) Respondents arriving after the allocated time of the briefing session and failing to attend the compulsory RFQ/Site briefing will be disqualified
- m) No services must be rendered or goods delivered before an official NHLS Purchase Order form has been received.
- n) This RFQ will be evaluated in terms of the 80/20 preference point system prescribed by the Preferential Procurement Regulations, 2017.
- o) All questions regarding this RFQ must be forwarded to the buyer within 24 hours after the RFQ has been issued.
- p) It is the responsibility of the bidder to ensure that its response reaches NHLS on or before the closing date and time of the RFQ.

FOR HAND DELIVERIES OF RESPONSES, PLEASE SUBMIT THE RFQ DOCUMENT TO NHLS RECEPTION IN THE RFQ BOX, NO.1 MODDERFONTEIN ROAD, SANDRINGHAM, JOHANNESBURG

PLEASE DO NOT SUBMIT RFQ RESPONSES IN THE TENDER BOX AS THE RFQ RESPONSES DEPOSITED IN THE TENDER BOX SHALL NOT BE CONSIDERED (if applicable).

The Bidder accepts the above terms and conditions and the General Conditions of Contract attached in Annex G.	Accept	Do not accept

RFQ NO: 2022889. SUPPLY AND DELIVERY OF OFFICE FURNITURE FOR DMP AT NHLS SANDRINGHAM COMPUS

2 PRICING SCHEDULE


SBD 3.1

**PRICING SCHEDULE – FIRM PRICES
(PURCHASES)**

NOTE: ONLY FIRM PRICES WILL BE ACCEPTED. NON-FIRM PRICES (INCLUDING PRICES SUBJECT TO RATES OF EXCHANGE VARIATIONS) WILL NOT BE CONSIDERED

IN CASES WHERE DIFFERENT DELIVERY POINTS INFLUENCE THE PRICING, A SEPARATE PRICING SCHEDULE MUST BE SUBMITTED FOR EACH DELIVERY POINT

PRICING SCHEDULE:

No.	Description	Quantity	Unit Price Exc Vat
1	<p>Office Chairs Fully adjustable moulded seat + extended recline for non-keyboard posture Provide complete ergonomic back support and comfort</p> 	2	R
2	<p>Office Table with 2/3 drawers L-shaped desk 2 or 3 fitted drawers and sliding door cabinet Panel leg design</p>	1	R
3	<p>4 Drawer Filing Cabinet 4 Drawers Wooden Filing Cabinet Oak/Maple wood</p>	4	R
	TOTAL PRICE EXCLUSIVE OF VAT		R
	VAT %		R

RFQ NO: 2022889. SUPPLY AND DELIVERY OF OFFICE FURNITURE FOR DMP AT NHL S SANDRINGHAM COMPUS

Compulsory documents which should be included on submission

No	Certificate	comply	Do not comply
1	CSD REPORT		
2	BBBEE CERTIFICATE/AFFIDAVIT		
3	Tax Clearance Certificate and/or TAX Verification PIN		
		N/A	

Name of bidder.....	Bid number: RFQ No: 2022889
Closing Time 11:00	Closing date: 30 APRIL 2024

OFFER TO BE VALID FOR 90 DAYS FROM THE CLOSING DATE OF BID.

ITEM NO.	QUANTITY	DESCRIPTION	BID PRICE IN RSA CURRENCY
			** (ALL APPLICABLE TAXES INCLUDED)

- Required by:

- At:

.....

- Brand and model

- Country of origin

- Does the offer comply with the specification(s)? *YES/NO

RFQ NO: 2022889. SUPPLY AND DELIVERY OF OFFICE FURNITURE FOR DMP AT NHL S SANDRINGHAM COMPUS

- **If not to specification, indicate deviation(s)**

- **Period required for delivery**
***Delivery: Firm/not firm**

- **Delivery basis**

Note: All delivery costs must be included in the bid price, for delivery at the prescribed destination.

**** "all applicable taxes" includes value- added tax, pay as you earn, income tax, unemployment insurance fund contributions and skills development levies.**

Price Declaration Form

Please indicate your total RFQ price here: R _____
(compulsory)

Important:

It is mandatory to indicate your total RFQ price as requested above. This price must be the same as the total RFQ price you submit in your pricing schedule. Should the total RFQ prices differ, the one indicated above shall be considered the correct price.

The following must be noted:

All prices must be VAT inclusive and must be quoted in South African Rand (ZAR).

All prices must be firm and fixed from the tender closing date and for the duration of the contract

All the consortium or joint venture partners must submit a complete set of the latest audited financial statements.

All bidders must cost according to the costing template provided or this will lead to disqualification.

The cost of delivery, labour etc. must be included in this proposal.

Bidders must keep all items listed below in stock.

We undertake to hold this offer open for acceptance for a period of 90 days from the date of submission of offers. We further undertake that upon final acceptance of our offer, we will commence with delivery when required to do so by the Client.

RFQ Number:

Name of Bidder:

.....

RFQ NO: 2022889. SUPPLY AND DELIVERY OF OFFICE FURNITURE FOR DMP AT NHLS SANDRINGHAM COMPUS

3 DECLARATION OF INTEREST

SBD4

BIDDER'S DISCLOSURE

1. PURPOSE OF THE FORM

Any person (natural or juristic) may make an offer or offers in terms of this invitation to bid. In line with the principles of transparency, accountability, impartiality, and ethics as enshrined in the Constitution of the Republic of South Africa and further expressed in various pieces of legislation, it is required for the bidder to make this declaration in respect of the details required hereunder.

Where a person/s are listed in the Register for Tender Defaulters and / or the List of Restricted Suppliers, that person will automatically be disqualified from the bid process.

2. Bidder's declaration

2.1 Is the bidder, or any of its directors / trustees / shareholders / members / partners or any person having a controlling interest¹ in the enterprise, employed by the state? **YES/NO**

2.1.1 If so, furnish particulars of the names, individual identity numbers, and, if applicable, state employee numbers of sole proprietor/ directors / trustees / shareholders / members/ partners or any person having a controlling interest in the enterprise, in table below.

Full Name	Identity Number	Name of State institution

¹ the power, by one person or a group of persons holding the majority of the equity of an enterprise, alternatively, the person/s having the deciding vote or power to influence or to direct the course and decisions of the enterprise.

RFQ NO: 2022889. SUPPLY AND DELIVERY OF OFFICE FURNITURE FOR DMP AT NHLS SANDRINGHAM COMPUS

2.2 Do you, or any person connected with the bidder, have a relationship with any person who is employed by the procuring institution? **YES/NO**

2.2.1 If so, furnish particulars:
.....
.....

2.3 Does the bidder or any of its directors / trustees / shareholders / members / partners or any person having a controlling interest in the enterprise have any interest in any other related enterprise whether or not they are bidding for this contract?

YES/NO

2.3.1 If so, furnish particulars:
.....
.....

3 DECLARATION

I, the undersigned, (name)..... in submitting the accompanying bid, do hereby make the following statements that I certify to be true and complete in every respect:

- 3.1 I have read and I understand the contents of this disclosure;
- 3.2 I understand that the accompanying bid will be disqualified if this disclosure is found not to be true and complete in every respect;
- 3.3 The bidder has arrived at the accompanying bid independently from, and without consultation, communication, agreement or arrangement with any competitor. However, communication between partners in a joint venture or consortium² will not be construed as collusive bidding.
- 3.4 In addition, there have been no consultations, communications, agreements or arrangements with any competitor regarding the quality, quantity, specifications, prices, including methods, factors or formulas used to calculate prices, market allocation, the intention or decision to submit or not to submit the bid, bidding with the intention not to win the bid and conditions or delivery particulars of the products or services to which this bid invitation relates.
- 3.4 The terms of the accompanying bid have not been, and will not be, disclosed by the bidder, directly or indirectly, to any competitor, prior to the date and time of the official bid opening or of the awarding of the contract.
- 3.5 There have been no consultations, communications, agreements or arrangements made by the bidder with any official of the procuring institution in relation to this procurement process prior to and during the bidding process except to provide clarification on the bid submitted where so required by the institution; and the bidder was not involved in the drafting of the specifications or terms of reference for this bid.

² Joint venture or Consortium means an association of persons for the purpose of combining their expertise, property, capital, efforts, skill and knowledge in an activity for the execution of a contract.

RFQ NO: 2022889. SUPPLY AND DELIVERY OF OFFICE FURNITURE FOR DMP AT NHLS SANDRINGHAM COMPUS

3.6 I am aware that, in addition and without prejudice to any other remedy provided to combat any restrictive practices related to bids and contracts, bids that are suspicious will be reported to the Competition Commission for investigation and possible imposition of administrative penalties in terms of section 59 of the Competition Act No 89 of 1998 and or may be reported to the National Prosecuting Authority (NPA) for criminal investigation and or may be restricted from conducting business with the public sector for a period not exceeding ten (10) years in terms of the Prevention and Combating of Corrupt Activities Act No 12 of 2004 or any other applicable legislation.

I CERTIFY THAT THE INFORMATION FURNISHED IN PARAGRAPHS 1, 2 and 3 ABOVE IS CORRECT. I ACCEPT THAT THE STATE MAY REJECT THE BID OR ACT AGAINST ME IN TERMS OF PARAGRAPH 6 OF PFMA SCM INSTRUCTION 03 OF 2021/22 ON PREVENTING AND COMBATING ABUSE IN THE SUPPLY CHAIN MANAGEMENT SYSTEM SHOULD THIS DECLARATION PROVE TO BE FALSE.

.....
Signature

.....
Date

.....
Position

.....
Name of bidder

RFQ NO: 2022889. SUPPLY AND DELIVERY OF OFFICE FURNITURE FOR DMP AT NHLS SANDRINGHAM COMPUS

SBD 6.1

PREFERENCE POINTS CLAIM FORM IN TERMS OF THE PREFERENTIAL PROCUREMENT REGULATIONS 2022

PREFERENCE POINTS CLAIM FORM IN TERMS OF THE PREFERENTIAL PROCUREMENT REGULATIONS 2022

This preference form must form part of all tenders invited. It contains general information and serves as a claim form for preference points for specific goals.

NB: BEFORE COMPLETING THIS FORM, TENDERERS MUST STUDY THE GENERAL CONDITIONS, DEFINITIONS AND DIRECTIVES APPLICABLE IN RESPECT OF THE TENDER AND PREFERENTIAL PROCUREMENT REGULATIONS, 2022

1. GENERAL CONDITIONS

1.1 The following preference point systems are applicable to invitations to tender:

- the 80/20 system for requirements with a Rand value of up to R50 000 000 (all applicable taxes included); and
- the 90/10 system for requirements with a Rand value above R50 000 000 (all applicable taxes included).

1.2 To be completed by the organ of state

(delete whichever is not applicable for this tender).

- a) The applicable preference point system for this tender is the **90/10** preference point system.
- b) The applicable preference point system for this tender is the **80/20** preference point system.
- c) Either the **90/10 or 80/20 preference point system** will be applicable in this tender. The lowest/ highest acceptable tender will be used to determine the accurate system once tenders are received.

1.3 Points for this tender (even in the case of a tender for income-generating contracts) shall be awarded for:

- (a) Price; and
- (b) Specific Goals.

1.4 To be completed by the organ of state:

The maximum points for this tender are allocated as follows:

RFQ NO: 2022889. SUPPLY AND DELIVERY OF OFFICE FURNITURE FOR DMP AT NHLS SANDRINGHAM COMPUS

	POINTS
PRICE	80
SPECIFIC GOALS	20
Total points for Price and SPECIFIC GOALS	100

1.5 Failure on the part of a tenderer to submit proof or documentation required in terms of this tender to claim points for specific goals with the tender, will be interpreted to mean that preference points for specific goals are not claimed.

1.6 The organ of state reserves the right to require of a tenderer, either before a tender is adjudicated or at any time subsequently, to substantiate any claim in regard to preferences, in any manner required by the organ of state.

2. DEFINITIONS

- (a) **“tender”** means a written offer in the form determined by an organ of state in response to an invitation to provide goods or services through price quotations, competitive tendering process or any other method envisaged in legislation;
- (b) **“price”** means an amount of money tendered for goods or services, and includes all applicable taxes less all unconditional discounts;
- (c) **“rand value”** means the total estimated value of a contract in Rand, calculated at the time of bid invitation, and includes all applicable taxes;
- (d) **“tender for income-generating contracts”** means a written offer in the form determined by an organ of state in response to an invitation for the origination of income-generating contracts through any method envisaged in legislation that will result in a legal agreement between the organ of state and a third party that produces revenue for the organ of state, and includes, but is not limited to, leasing and disposal of assets and concession contracts, excluding direct sales and disposal of assets through public auctions; and
- (e) **“the Act”** means the Preferential Procurement Policy Framework Act, 2000 (Act No. 5 of 2000).
- (f) **“Historically Disadvantaged Individual (HDI)”**
 - i. Means a South African citizen who, due to the apartheid policy that had been in place, had no franchise in national elections prior to the introduction of the Constitution of the Republic of South Africa, 1983 (Act No. 110 of 1983) or the Constitution of the Republic of South Africa, 1993 (Act No. 200 of 1993) (“The Interim Constitution”) and /or
 - ii. Who is a female; and/or
 - iii. Who has a disability
- (g) **“Disability”** means, in respect of a person, a permanent impairment of a physical, intellectual, or sensory function, which results in restricted, or lack of, ability to perform an activity in the manner, or within the range, considered normal for a human being.
- (h) **“Youth”** Has the meaning assigned to it in section 1 of the National Youth Development Agency Act, 2008 (Act No. 54 of 2008)

RFQ NO: 2022889. SUPPLY AND DELIVERY OF OFFICE FURNITURE FOR DMP AT NHLS SANDRINGHAM COMPUS

- (i) “**Specific goals**” means specific goals as contemplated in section 2(1)(d) of the PPPFA which may include contracting with persons, or group of persons, historically disadvantaged by unfair discrimination on the basis of race, gender and disability including the implementation of programmes of the Reconstruction and Development Programme as published in Government Gazette No. 16085 dated 23 November 1994.

3. FORMULAE FOR PROCUREMENT OF GOODS AND SERVICES

3.1. POINTS AWARDED FOR PRICE

3.1.1 THE 80/20 OR 90/10 PREFERENCE POINT SYSTEMS

A maximum of 80 or 90 points is allocated for price on the following basis:

$$\begin{array}{ccc} \mathbf{80/20} & \mathbf{or} & \mathbf{90/10} \\ \mathbf{Ps} = \mathbf{80} \left(\mathbf{1} - \frac{\mathbf{Pt} - \mathbf{Pmin}}{\mathbf{Pmin}} \right) & \mathbf{or} & \mathbf{Ps} = \mathbf{90} \left(\mathbf{1} - \frac{\mathbf{Pt} - \mathbf{Pmin}}{\mathbf{Pmin}} \right) \end{array}$$

Where

- Ps = Points scored for price of tender under consideration
Pt = Price of tender under consideration
Pmin = Price of lowest acceptable tender

3.2. FORMULAE FOR DISPOSAL OR LEASING OF STATE ASSETS AND INCOME GENERATING PROCUREMENT

3.2.1. POINTS AWARDED FOR PRICE

A maximum of 80 or 90 points is allocated for price on the following basis:

$$\begin{array}{ccc} \mathbf{80/20} & \mathbf{or} & \mathbf{90/10} \\ \mathbf{Ps} = \mathbf{80} \left(\mathbf{1} + \frac{\mathbf{Pt} - \mathbf{Pmax}}{\mathbf{Pmax}} \right) & \mathbf{or} & \mathbf{Ps} = \mathbf{90} \left(\mathbf{1} + \frac{\mathbf{Pt} - \mathbf{Pmax}}{\mathbf{Pmax}} \right) \end{array}$$

Where

- Ps = Points scored for price of tender under consideration
Pt = Price of tender under consideration
Pmax = Price of highest acceptable tender

RFQ NO: 2022889. SUPPLY AND DELIVERY OF OFFICE FURNITURE FOR DMP AT NHLS SANDRINGHAM COMPUS

4. POINTS AWARDED FOR SPECIFIC GOALS

- 4.1. In terms of Regulation 4(2); 5(2); 6(2) and 7(2) of the Preferential Procurement Regulations, preference points must be awarded for specific goals stated in the tender. For the purposes of this tender the tenderer will be allocated points based on the goals stated in table 1 below as may be supported by proof/ documentation stated in the conditions of this tender:
- 4.2. In cases where organs of state intend to use Regulation 3(2) of the Regulations, which states that, if it is unclear whether the 80/20 or 90/10 preference point system applies, an organ of state must, in the tender documents, stipulate in the case of—
- (a) an invitation for tender for income-generating contracts, that either the 80/20 or 90/10 preference point system will apply and that the highest acceptable tender will be used to determine the applicable preference point system; or
 - (b) any other invitation for tender, that either the 80/20 or 90/10 preference point system will apply and that the lowest acceptable tender will be used to determine the applicable preference point system,

then the organ of state must indicate the points allocated for specific goals for both the 90/10 and 80/20 preference point system.

Points awarded for historically disadvantaged individuals

Preference points for HDI's are calculated on their percentage shareholding in a business, provided that they are actively involved in and exercise control over the enterprise. The following formula is prescribed

$$NEP = NOP \times \frac{EP}{100}$$

Where

NEP = Points awarded for equity ownership by an HDI

NOP = The maximum number of points awarded for equity by an HDI in that specific category

EP = The percentage of equity ownership by an HDI within the enterprise or business, determined in accordance with the definition of HDI's.

A consortium or joint venture (including unincorporated consortia and joint ventures) must submit a consolidated B-BBEE Status Level Verification certificate for every separate tender

Table 1: Specific goals for the tender and points claimed are indicated per the table below.

(Note to organs of state: Where either the 90/10 or 80/20 preference point system is applicable, corresponding points must also be indicated as such.)

Note to tenderers: The tenderer must indicate how they claim points for each preference point system.

RFQ NO: 2022889. SUPPLY AND DELIVERY OF OFFICE FURNITURE FOR DMP AT NHL S SANDRINGHAM COMPUS

The specific goals allocated points in terms of this tender	Number of points allocated (90/10 system) (To be completed by the organ of state)	Number of points allocated (80/20 system) (To be completed by the organ of state)	Number of points claimed (90/10 system) (To be completed by the tenderer)	Percentage owned (To be completed by the tenderer)	Number of points claimed (80/20 system) (To be completed by the tenderer)
HDI		6		%	
WOMAN		4		%	
DISABLED		1		%	
YOUTH		4		%	
Locality <ul style="list-style-type: none"> • City of Johannesburg = 5 • Gauteng Province = 2 • National = 0 		5			
TOTAL POINTS		20			

DECLARATION WITH REGARD TO COMPANY/FIRM

4.3. Name of company/firm.....

4.4. Company registration number:.....

4.5. TYPE OF COMPANY/ FIRM

- Partnership/Joint Venture / Consortium
- One-person business/sole propriety
- Close corporation
- Public Company
- Personal Liability Company
- (Pty) Limited
- Non-Profit Company
- State Owned Company

[TICK APPLICABLE BOX]

RFQ NO: 2022889. SUPPLY AND DELIVERY OF OFFICE FURNITURE FOR DMP AT NHLS SANDRINGHAM COMPUS

4.6. I, the undersigned, who is duly authorised to do so on behalf of the company/firm, certify that the points claimed, based on the specific goals as advised in the tender, qualifies the company/ firm for the preference(s) shown and I acknowledge that:

- i) The information furnished is true and correct;
- ii) The preference points claimed are in accordance with the General Conditions as indicated in paragraph 1 of this form;
- iii) In the event of a contract being awarded as a result of points claimed as shown in paragraphs 1.4 and 4.2, the contractor may be required to furnish documentary proof to the satisfaction of the organ of state that the claims are correct;
- iv) If the specific goals have been claimed or obtained on a fraudulent basis or any of the conditions of contract have not been fulfilled, the organ of state may, in addition to any other remedy it may have –
 - (a) disqualify the person from the tendering process;
 - (b) recover costs, losses or damages it has incurred or suffered as a result of that person’s conduct;
 - (c) cancel the contract and claim any damages which it has suffered as a result of having to make less favourable arrangements due to such cancellation;
 - (d) recommend that the tenderer or contractor, its shareholders and directors, or only the shareholders and directors who acted on a fraudulent basis, be restricted from obtaining business from any organ of state for a period not exceeding 10 years, after the *audi alteram partem* (hear the other side) rule has been applied; and
 - (e) forward the matter for criminal prosecution, if deemed necessary.

..... SIGNATURE(S) OF TENDERER(S)	
SURNAME AND NAME:
DATE:
ADDRESS:

RFQ NO: 2022889. SUPPLY AND DELIVERY OF OFFICE FURNITURE FOR DMP AT NHLS SANDRINGHAM COMPUS

4 CERTIFICATE OF ACQUITTANCE WITH RFQ TERMS AND CONDITIONS AND APPLICABLE DOCUMENTS

5 AUTHORITY FOR SIGNATORY

Signatories for close corporations and companies shall confirm their authority **by attaching to this form** a duly signed and dated copy of the relevant resolution of their members or their board of directors, as the case may be.

An example for a company is shown below:

“By resolution of the board of directors passed on

_____ 20 _____

Mr./ Ms./ Mrs. _____ has been duly authorized to sign all documents in connection with the Tender for Contract

No _____ and any Contract, which may arise there from on behalf of

SIGNED ON BEHALF OF THE COMPANY:

IN HIS/ HER CAPACITY AS:

DATE: _____

SIGNATURE OF SIGNATORY: _____

AS WITNESSES: 1 _____

2 _____

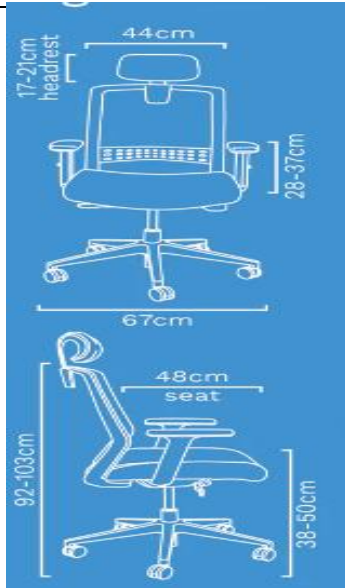
RFQ NO: 2022889. SUPPLY AND DELIVERY OF OFFICE FURNITURE FOR DMP AT NHL S SANDRINGHAM COMPUS

6 TERMS OF REFERENCE / SPECIFICATION

FORM OF QUOTATION SUPPLIER NAME: _____

DESCRIPTION: RFQ NO: 2022889. SUPPLY AND DELIVERY OF OFFICE FURNITURE FOR DMP AT NHL S SANDRINGHAM COMPUS

Specification
Office Chairs
Fully adjustable moulded seat + extended recline for non-keyboard posture
Provide complete ergonomic back support and comfort



Office Table with 2/3 drawers
L-shaped desk
2 or 3 fitted drawers and sliding door cabinet
Panel leg design
4 Drawer Filing Cabinet
4 Drawers
Wooden Filing Cabinet
Oak/Maple wood

RFQ NO: 2022889. SUPPLY AND DELIVERY OF OFFICE FURNITURE FOR DMP AT NHLS SANDRINGHAM COMPUS

7 TECHNICAL / FUNCTIONAL EVALUATION CRITERIA

Next step evaluation is the “technical” or so called “functional” evaluation which is purely based on NHLS specifications and Scope of Work. NHLS end-user department (who requested the RFQ), Procurement Services, Finance and or subject specialists are part of the Cross Functional Evaluation Team (CFET) meeting which is chaired by the Procurement Officer. Functionality is the technical evaluation of the bidders’ proposal.

Should functionality be included in the RFQ as a threshold, the RFQ document must clearly state the minimum score to be achieved if bidders are to be further evaluated on price and preference. Responses that do not meet the threshold for technical will not progress further. (if applicable)

The final stage of evaluation is done after the CFET has reached their verdict and is done by NHLS Procurement Services. B-BBEE score (commercial evaluation) is added in order to get the final order of merit for the bidders being evaluated.

Bid will be evaluated on the basis of the PPPFA 80/20 point system as presented in the Preferential Procurement Regulations 2017, for this purpose SBD 6.1 form should be scrutinized, completed and submitted together with your quotation. The 80/20 point system will be as follows:

ADMINISTRATIVE COMPLIANCE

- Administrative compliance/responsiveness will be tested based on returnable documents submitted and signatures on the Bid documents.
- At this stage, it must be determined what documents are required to be returned by Bidders. Returnable documents are categorized as follows:

a) Mandatory Returnable Documents (to be returned by Bidders)

(NOTE: Failure to provide the below listed documents WILL lead to disqualification)

1. The Service Providers to have to agree with all NHLS General Conditions of Bid, RFQ and Conditions of Contract (GCC)	Comply	Do Not Comply
Substantiation: The bidder must submit and attach to the bid response the signed and accepted NHLS General Conditions of Bid, RFQ and Conditions of Contract (GCC).		

1. Fully completed and signed Declaration of Interest SBD 4, SBD 6.1.	Comply	Do Not Comply
Substantiation: The bidder must submit and attach to the bid response the signed Declaration of Interest SBD 4, SBD 6.1		

RFQ NO: 2022889. SUPPLY AND DELIVERY OF OFFICE FURNITURE FOR DMP AT NHLS SANDRINGHAM COMPUS

3. Fully completed and signed RFQ document and initial each page.	Comply	Do Not Comply
Substantiation: The bidder must submit and attach to the bid response the fully completed and signed RFQ document. Bidder to initial each page of the RFQ document.		

4. Bidder <i>must</i> complete the pricing Schedule (Pages 7 and 8).	Comply	Do Not Comply
Substantiation: The bidder must submit and attach to the bid response fully completed pricing Schedule (Pages 7 and 8).		

5. Bidder <i>must</i> provide registration confirmation with CIDB in terms of the CIDB Act 38 of 2000. If Required	Comply	Do Not Comply
		N/A
Substantiation: Bidder must provide details and registration confirmation with CIDB in terms of the CIDB Act 38 of 2000.		

b) Essential Returnable Documents (to be returned by Bidders)

1. B-BBEE Certificate and/or Affidavit	Comply	Do Not Comply
Substantiation: The bidder must submit and attach to the bid response a copy of B-BBEE Certificate issued by an authorised body or person, or a sworn Affidavit prescribed by the B-BBEE Codes of Good Practice.		

2. TAX Clearance Certificate and/or TAX verification Pin and/or TAX Compliance Status Letter	Comply	Do Not Comply
Substantiation: The bidder must submit and attach to the bid response a valid TAX Clearance Certificate and/or TAX verification Pin and/or TAX Compliance Status Letter issued by the South African Revenue Services (SARS).		

3. CSD Report (Central Supplier Database)	Comply	Do Not Comply

RFQ NO: 2022889. SUPPLY AND DELIVERY OF OFFICE FURNITURE FOR DMP AT NHL S SANDRINGHAM COMPUS

Substantiation: The bidder must submit and attach to the bid response an updated CSD Registration Report within the RFQ advert period.

4. CIPC - Company Registration Number	Comply	Do Not Comply

Substantiation: The bidder must submit and attach to the bid response a copy of Company Registration (CIPC).

8 SCHEDULE OF WORK CARRIED OUT BY THE BIDDER

The bidder must indicate in the spaces provided below a complete list of similar contracts awarded over the last five (5) years, including the current contract (if any). This information shall be deemed to be material to the award of this bid.

Company Name	Nature of work	Value of the work	Contact person & contact number	Duration of the project (Start and end date)

Signature of person authorized to sign the bid: _____

Date: _____

RFQ NO: 2022889. SUPPLY AND DELIVERY OF OFFICE FURNITURE FOR DMP AT NHLS SANDRINGHAM COMPUS

9 BID DOCUMENT CHECKLIST

A completed and signed bid document must be submitted in a file. The bid/tender documentation must be placed into a file with dividers between every schedule. The schedule must be numbered as follows:

	Description	Submitted (Yes/No)
Schedule 1	CSD REPORT	
Schedule 2	B-BBEE Certificate and/or Affidavit	
Schedule 3	Tax Clearance Certificate and/or TAX Verification PIN	
Schedule 5	Certificate of attendance of compulsory briefing session (if applicable)	N/A
Schedule 6	(Applicable for Renovation)	N/A
Schedule 7	Letter of good standing	
Schedule 8	Bidder must provide details and registration confirmation with CIDB in terms of the CIDB Act 38 of 2000. (Bidder must provide proof grading level 1GB, 1SO and 1 EB) – (MANDATORY)	N/A

10 GENERAL CONDITIONS OF CONTRACT

**THE NATIONAL TREASURY
Republic of South Africa**

**GOVERNMENT PROCUREMENT:
GENERAL CONDITIONS OF CONTRACT
July 2010**

**GOVERNMENT PROCUREMENT
GENERAL CONDITIONS OF CONTRACT
July 2010**

NOTES

The purpose of this document is to:

- (i) Draw special attention to certain general conditions applicable to government bids, contracts and orders; and
- (ii) To ensure that clients be familiar with regard to the rights and obligations of all parties involved in doing business with government.

In this document words in the singular also mean in the plural and vice versa and words in the masculine also mean in the feminine and neuter.

RFQ NO: 2022889. SUPPLY AND DELIVERY OF OFFICE FURNITURE FOR DMP AT NHLS SANDRINGHAM COMPUS

- ☑ The General Conditions of Contract will form part of all bid documents and may not be amended.
- ☑ Special Conditions of Contract (SCC) relevant to a specific bid, should be compiled separately for every bid (if applicable) and will supplement the General Conditions of Contract. Whenever there is a conflict, the provisions in the SCC shall prevail.

TABLE OF CLAUSES

1. Definitions
2. Application
3. General
4. Standards
5. Use of contract documents and information; inspection
6. Patent rights
7. Performance security
8. Inspections, tests and analysis
9. Packing
10. Delivery and documents
11. Insurance
12. Transportation
13. Incidental services
14. Spare parts
15. Warranty
16. Payment
17. Prices
18. Contract amendments
19. Assignment
20. Subcontracts
21. Delays in the supplier's performance
22. Penalties
23. Termination for default
24. Dumping and countervailing duties
25. Force Majeure
26. Termination for insolvency
27. Settlement of disputes
28. Limitation of liability
29. Governing language
30. Applicable law
31. Notices
32. Taxes and duties
33. National Industrial Participation Programme (NIPP)
34. Prohibition of restrictive practices

General Conditions of Contract

1. Definitions

1. The following terms shall be interpreted as indicated:

RFQ NO: 2022889. SUPPLY AND DELIVERY OF OFFICE FURNITURE FOR DMP AT NHL SANDRINGHAM COMPUS

- 1.1 "Closing time" means the date and hour specified in the bidding documents for the receipt of bids.
- 1.2 "Contract" means the written agreement entered into between the purchaser and the supplier, as recorded in the contract form signed by the parties, including all attachments and appendices thereto and all documents incorporated by reference therein.
- 1.3 "Contract price" means the price payable to the supplier under the contract for the full and proper performance of his contractual obligations.
- 1.4 "Corrupt practice" means the offering, giving, receiving, or soliciting of anything of value to influence the action of a public official in the procurement process or in contract execution.
- 1.5 "Countervailing duties" are imposed in cases where an enterprise abroad is subsidized by its government and encouraged to market its products internationally.
- 1.6 "Country of origin" means the place where the goods were mined, grown or produced or from which the services are supplied. Goods are produced when, through manufacturing, processing or substantial and major assembly of components, a commercially recognized new product results that is substantially different in basic characteristics or in purpose or utility from its components.
- 1.7 "Day" means calendar day.
- 1.8 "Delivery" means delivery in compliance of the conditions of the contract or order.
- 1.9 "Delivery ex stock" means immediate delivery directly from stock actually on hand.
- 1.10 "Delivery into consignees store or to his site" means delivered and unloaded in the specified store or depot or on the specified site in compliance with the conditions of the contract or order, the supplier bearing all risks and charges involved until the supplies are so delivered and a valid receipt is obtained.
- 1.11 "Dumping" occurs when a private enterprise abroad market its goods on own initiative in the RSA at lower prices than that of the country of origin and which have the potential to harm the local industries in the RSA.
- 1.12 "Force majeure" means an event beyond the control of the supplier and not involving the supplier's fault or negligence and not foreseeable. Such events may include, but is not restricted to, acts of the purchaser in its sovereign capacity, wars or revolutions, fires, floods, epidemics, quarantine restrictions and freight embargoes.
- 1.13 "Fraudulent practice" means a misrepresentation of facts in order to influence a procurement process or the execution of a contract to the detriment of any bidder, and includes collusive practice among bidders (prior to or after bid submission) designed to establish bid prices at

RFQ NO: 2022889. SUPPLY AND DELIVERY OF OFFICE FURNITURE FOR DMP AT NHL S SANDRINGHAM COMPUS

artificial non-competitive levels and to deprive the bidder of the benefits of free and open competition.

- 1.14 "GCC" means the General Conditions of Contract.
- 1.15 "Goods" means all of the equipment, machinery, and/or other materials that the supplier is required to supply to the purchaser under the contract.
- 1.16 "Imported content" means that portion of the bidding price represented by the cost of components, parts or materials which have been or are still to be imported (whether by the supplier or his subcontractors) and which costs are inclusive of the costs abroad, plus freight and other direct importation costs such as landing costs, dock dues, import duty, sales duty or other similar tax or duty at the South African place of entry as well as transportation and handling charges to the factory in the Republic where the supplies covered by the bid will be manufactured.
- 1.17 "Local content" means that portion of the bidding price which is not included in the imported content provided that local manufacture does take place.
- 1.18 "Manufacture" means the production of products in a factory using labour, materials, components and machinery and includes other related value-adding activities.
- 1.19 "Order" means an official written order issued for the supply of goods or works or the rendering of a service.
- 1.20 "Project site," where applicable, means the place indicated in bidding documents.
- 1.21 "Purchaser" means the organization purchasing the goods.
- 1.22 "Republic" means the Republic of South Africa.
- 1.23 "SCC" means the Special Conditions of Contract.
- 1.24 "Services" means those functional services ancillary to the supply of the goods, such as transportation and any other incidental services, such as installation, commissioning, provision of technical assistance, training, catering, gardening, security, maintenance and other such obligations of the supplier covered under the contract.
- 1.25 "Written" or "in writing" means handwritten in ink or any form of electronic or mechanical writing.

2. Application

- 2.1 These general conditions are applicable to all bids, contracts and orders including bids for functional and professional services, sales, hiring, letting and the granting or acquiring of rights, but excluding immovable property, unless otherwise indicated in the bidding documents.

RFQ NO: 2022889. SUPPLY AND DELIVERY OF OFFICE FURNITURE FOR DMP AT NHLS SANDRINGHAM COMPUS

- 2.2 Where applicable, special conditions of contract are also laid down to cover specific supplies, services or works.
- 2.3 Where such special conditions of contract are in conflict with these general conditions, the special conditions shall apply.

3. General

- 3.1 Unless otherwise indicated in the bidding documents, the purchaser shall not be liable for any expense incurred in the preparation and submission of a bid. Where applicable a non-refundable fee for documents may be charged.
- 3.2 With certain exceptions, invitations to bid are only published in the Government Tender Bulletin. The Government Tender Bulletin may be obtained directly from the Government Printer, Private Bag X85, Pretoria 0001, or accessed electronically from www.treasury.gov.za

4. Standards

- 4.1 The goods supplied shall conform to the standards mentioned in the bidding documents and specifications.

5. Use of contract documents and information; inspection.

- 5.1 The supplier shall not, without the purchaser's prior written consent, disclose the contract, or any provision thereof, or any specification, plan, drawing, pattern, sample, or information furnished by or on behalf of the purchaser in connection therewith, to any person other than a person employed by the supplier in the performance of the contract. Disclosure to any such employed person shall be made in confidence and shall extend only so far as may be necessary for purposes of such performance.
- 5.2 The supplier shall not, without the purchaser's prior written consent, make use of any document or information mentioned in GCC clause 5.1 except for purposes of performing the contract.
- 5.3 Any document, other than the contract itself mentioned in GCC clause 5.1 shall remain the property of the purchaser and shall be returned (all copies) to the purchaser on completion of the supplier's performance under the contract if so required by the purchaser.
- 5.4 The supplier shall permit the purchaser to inspect the supplier's records relating to the performance of the supplier and to have them audited by auditors appointed by the purchaser, if so required by the purchaser.

6. Patent rights

- 6.1 The supplier shall indemnify the purchaser against all third-party claims of infringement of patent, trademark, or industrial design rights arising from use of the goods or any part thereof by the purchaser.

RFQ NO: 2022889. SUPPLY AND DELIVERY OF OFFICE FURNITURE FOR DMP AT NHLS SANDRINGHAM COMPUS

7. Performance security

- 7.1.1 Within thirty (30) days of receipt of the notification of contract award, the successful bidder shall furnish to the purchaser the performance security of the amount specified in SCC.
- 7.1.2 The proceeds of the performance security shall be payable to the purchaser as compensation for any loss resulting from the supplier's failure to complete his obligations under the contract.
- 7.3 The performance security shall be denominated in the currency of the contract, or in a freely convertible currency acceptable to the purchaser and shall be in one of the following forms:
 - (a) a bank guarantee or an irrevocable letter of credit issued by a reputable bank located in the purchaser's country or abroad, acceptable to the purchaser, in the form provided in the bidding documents or another form acceptable to the purchaser; or
 - (b) a cashier's or certified cheque
- 7.4 The performance security will be discharged by the purchaser and returned to the supplier not later than thirty (30) days following the date of completion of the supplier's performance obligations under the contract, including any warranty obligations, unless otherwise specified in SCC.

8. Inspections, tests and analyses

- 8.1 All pre-bidding testing will be for the account of the bidder.
- 8.2 If it is a bid condition that supplies to be produced or services to be rendered should at any stage during production or execution or on completion be subject to inspection, the premises of the bidder or contractor shall be open, at all reasonable hours, for inspection by a representative of the Department or an organization acting on behalf of the Department.
- 8.3 If there are no inspection requirements indicated in the bidding documents and no mention is made in the contract, but during the contract period it is decided that inspections shall be carried out, the purchaser shall itself make the necessary arrangements, including payment arrangements with the testing authority concerned.
- 8.4 If the inspections, tests and analyses referred to in clauses 8.2 and 8.3 show the supplies to be in accordance with the contract requirements, the cost of the inspections, tests and analyses shall be defrayed by the purchaser.
- 8.5 Where the supplies or services referred to in clauses 8.2 and 8.3 do not comply with the contract requirements, irrespective of whether such supplies or services are accepted or not, the cost in connection with these inspections, tests or analyses shall be defrayed by the supplier.
- 8.6 Supplies and services which are referred to in clauses 8.2 and 8.3 and which do not comply with the contract requirements may be rejected. 8.7 Any contract supplies may on or after delivery be

RFQ NO: 2022889. SUPPLY AND DELIVERY OF OFFICE FURNITURE FOR DMP AT NHL SADRINGHAM COMPUS

inspected, tested or analyzed and may be rejected if found not to comply with the requirements of the contract. Such rejected supplies shall be held at the cost and risk of the supplier who shall, when called upon, remove them immediately at his own cost and forthwith substitute them with supplies which do comply with the requirements of the contract. Failing such removal, the rejected supplies shall be returned

at the suppliers cost and risk. Should the supplier fail to provide the substitute supplies forthwith, the purchaser may, without giving the supplier further opportunity to substitute the rejected supplies, purchase such supplies as may be necessary at the expense of the supplier.

- 8.8 The provisions of clauses 8.4 to 8.7 shall not prejudice the right of the purchaser to cancel the contract on account of a breach of the conditions thereof, or to act in terms of Clause 23 of GCC.

9. Packing

- 1.1 The supplier shall provide such packing of the goods as is required to prevent their damage or deterioration during transit to their final destination, as indicated in the contract. The packing shall be sufficient to withstand, without limitation, rough handling during transit and exposure to extreme temperatures, salt and precipitation during transit, and open storage. Packing, case size and weights shall take into consideration, where appropriate, the remoteness of the goods' final destination and the absence of heavy handling facilities at all points in transit.
- 9.2 The packing, marking, and documentation within and outside the packages shall comply strictly with such special requirements as shall be expressly provided for in the contract, including additional requirements, if any, specified in SCC, and in any subsequent instructions ordered by the purchaser.

10. Delivery and documents

- 10.1 Delivery of the goods shall be made by the supplier in accordance with the terms specified in the contract. The details of shipping and/or other documents to be furnished by the supplier are specified in SCC.
- 10.2 Documents to be submitted by the supplier are specified in SCC.

11. Insurance

- 11.1 The goods supplied under the contract shall be fully insured in a freely convertible currency against loss or damage incidental to manufacture or acquisition, transportation, storage and delivery in the manner specified in the SCC.

12. Transportation

- 12.1 Should a price other than an all-inclusive delivered price be required, this shall be specified in the SCC.

RFQ NO: 2022889. SUPPLY AND DELIVERY OF OFFICE FURNITURE FOR DMP AT NHLS SANDRINGHAM COMPUS

13. Incidental services

- 13.1 The supplier may be required to provide any or all of the following services, including additional services, if any, specified in SCC:
- (a) performance or supervision of on-site assembly and/or commissioning of the supplied goods;
 - (b) furnishing of tools required for assembly and/or maintenance of the supplied goods;
 - (c) furnishing of a detailed operations and maintenance manual for each appropriate unit of the supplied goods;
 - (d) performance or supervision or maintenance and/or repair of the supplied goods, for a period of time agreed by the parties, provided that this service shall not relieve the supplier of any warranty obligations under this contract; and
 - (e) training of the purchaser's personnel, at the supplier's plant and/or on-site, in assembly, start-up, operation, maintenance, and/or repair of the supplied goods.
- 13.2 Prices charged by the supplier for incidental services, if not included in the contract price for the goods, shall be agreed upon in advance by the parties and shall not exceed the prevailing rates charged to other parties by the supplier for similar services.

14. Spare parts

- 14.1 As specified in SCC, the supplier may be required to provide any or all of the following materials, notifications, and information pertaining to spare parts manufactured or distributed by the supplier:
- (a) such spare parts as the purchaser may elect to purchase from the supplier, provided that this election shall not relieve the supplier of any warranty obligations under the contract; and
 - (b) in the event of termination of production of the spare parts:
 - (i) Advance notification to the purchaser of the pending termination, in sufficient time to permit the purchaser to procure needed requirements; and
 - (ii) following such termination, furnishing at no cost to the purchaser, the blueprints, drawings, and specifications of the spare parts, if requested.

15. Warranty

- 15.1 The supplier warrants that the goods supplied under the contract are new, unused, of the most recent or current models, and that they incorporate all recent improvements in design and materials unless provided otherwise in the contract. The supplier further warrants that all goods supplied under this contract shall have no defect, arising from design, materials, or workmanship (except when the design and/or material is required by the purchaser's specifications) or from any act or omission of the supplier, that may develop under normal use of the supplied goods in the conditions prevailing in the country of final destination.
- 15.2 This warranty shall remain valid for twelve (12) months after the goods, or any portion thereof as the case may be, have been delivered to and accepted at the final destination

RFQ NO: 2022889. SUPPLY AND DELIVERY OF OFFICE FURNITURE FOR DMP AT NHLS SANDRINGHAM COMPUS

indicated in the contract, or for eighteen (18) months after the date of shipment from the port or place of loading in the source country, whichever period concludes earlier, unless specified otherwise in SCC.

- 15.3 The purchaser shall promptly notify the supplier in writing of any claims arising under this warranty.
- 15.4 Upon receipt of such notice, the supplier shall, within the period specified in SCC and with all reasonable speed, repair or replace the defective goods or parts thereof, without costs to the purchaser.
- 15.5 If the supplier, having been notified, fails to remedy the defect(s) within the period specified in SCC, the purchaser may proceed to take such remedial action as may be necessary, at the supplier's risk and expense and without prejudice to any other rights which the purchaser may have against the supplier under the contract.

16. Payment

- 16.1 The method and conditions of payment to be made to the supplier under this contract shall be specified in SCC.
- 16.2 The supplier shall furnish the purchaser with an invoice accompanied by a copy of the delivery note and upon fulfillment of other obligations stipulated in the contract.
- 16.3 Payments shall be made promptly by the purchaser, but in no case later than thirty (30) days after submission of an invoice or claim by the supplier.
- 16.4 Payment will be made in Rand unless otherwise stipulated in SCC.

17. Prices

- 17.1 Prices charged by the supplier for goods delivered and services performed under the contract shall not vary from the prices quoted by the supplier in his bid, with the exception of any price adjustments authorized in SCC or in the purchaser's request for bid validity extension, as the case may be.

18. Contract amendments

- 18.1 No variation in or modification of the terms of the contract shall be made except by written amendment signed by the parties concerned.

19. Assignment

- 19.1 The supplier shall not assign, in whole or in part, its obligations to perform under the contract, except with the purchaser's prior written consent.

RFQ NO: 2022889. SUPPLY AND DELIVERY OF OFFICE FURNITURE FOR DMP AT NHLS SANDRINGHAM COMPUS

20. Subcontracts

- 20.1 The supplier shall notify the purchaser in writing of all subcontracts awarded under this contracts if not already specified in the bid. Such notification, in the original bid or later, shall not relieve the supplier from any liability or obligation under the contract.

21. Delays in the supplier's performance

- 21.1 Delivery of the goods and performance of services shall be made by the supplier in accordance with the time schedule prescribed by the purchaser in the contract.
- 21.2 If at any time during performance of the contract, the supplier or its subcontractor(s) should encounter conditions impeding timely delivery of the goods and performance of services, the supplier shall promptly notify the purchaser in writing of the fact of the delay, its likely duration and its cause(s). As soon as practicable after receipt of the supplier's notice, the purchaser shall evaluate the situation and may at his discretion extend the supplier's time for performance, with or without the imposition of penalties, in which case the extension shall be ratified by the parties by amendment of contract.
- 21.3 No provision in a contract shall be deemed to prohibit the obtaining of supplies or services from a national department, provincial department, or a local authority.
- 21.4 The right is reserved to procure outside of the contract small quantities or to have minor essential services executed if an emergency arises, the supplier's point of supply is not situated at or near the place where the supplies are required, or the supplier's services are not readily available.
- 21.5 Except as provided under GCC Clause 25, a delay by the supplier in the performance of its delivery obligations shall render the supplier liable to the imposition of penalties, pursuant to GCC Clause 22, unless an extension of time is agreed upon pursuant to GCC Clause 21.2 without the application of penalties.
- 21.6 Upon any delay beyond the delivery period in the case of a supplies contract, the purchaser shall, without canceling the contract, be entitled to purchase supplies of a similar quality and up to the same quantity in substitution of the goods not supplied in conformity with the contract and to return any goods delivered later at the supplier's expense and risk, or to cancel the contract and buy such goods as may be required to complete the contract and without prejudice to his other rights, be entitled to claim damages from the supplier.

22. Penalties

- 22.1 Subject to GCC Clause 25, if the supplier fails to deliver any or all of the goods or to perform the services within the period(s) specified in the contract, the purchaser shall, without prejudice to its other remedies under the contract, deduct from the contract price, as a penalty, a sum calculated on the delivered price of the delayed goods or unperformed services using the current prime interest rate calculated for each day of the delay until actual delivery or performance. The purchaser may also consider termination of the contract pursuant to GCC Clause 23.

RFQ NO: 2022889. SUPPLY AND DELIVERY OF OFFICE FURNITURE FOR DMP AT NHLS SANDRINGHAM COMPUS

23. Termination for default

- 23.1 The purchaser, without prejudice to any other remedy for breach of contract, by written notice of default sent to the supplier, may terminate this contract in whole or in part:
- (a) if the supplier fails to deliver any or all of the goods within the period(s) specified in the contract, or within any extension thereof granted by the purchaser pursuant to GCC Clause 21.2;
 - (b) if the Supplier fails to perform any other obligation(s) under the contract; or
 - (c) if the supplier, in the judgment of the purchaser, has engaged in corrupt or fraudulent practices in competing for or in executing the contract.
- 23.2 In the event the purchaser terminates the contract in whole or in part, the purchaser may procure, upon such terms and in such manner as it deems appropriate, goods, works or services similar to those undelivered, and the supplier shall be liable to the purchaser for any excess costs for such similar goods, works or services. However, the supplier shall continue performance of the contract to the extent not terminated.
- 23.3 Where the purchaser terminates the contract in whole or in part, the purchaser may decide to impose a restriction penalty on the supplier by prohibiting such supplier from doing business with the public sector for a period not exceeding 10 years.
- 23.4 If a purchaser intends imposing a restriction on a supplier or any person associated with the supplier, the supplier will be allowed a time period of not more than fourteen (14) days to provide reasons why the envisaged restriction should not be imposed. Should the supplier fail to respond within the stipulated fourteen (14) days the purchaser may regard the intended penalty as not objected against and may impose it on the supplier.
- 23.5 Any restriction imposed on any person by the Accounting Officer / Authority will, at the discretion of the Accounting Officer / Authority, also be applicable to any other enterprise or any partner, manager, director or other person who wholly or partly exercises or exercised or may exercise control over the enterprise of the first-mentioned person, and with which enterprise or person the first-mentioned person, is or was in the opinion of the Accounting Officer / Authority actively associated.
- 23.6 If a restriction is imposed, the purchaser must, within five (5) working days of such imposition, furnish the National Treasury, with the following information:
- (i) the name and address of the supplier and / or person restricted by the purchaser;
 - (ii) the date of commencement of the restriction
 - (iii) the period of restriction; and
 - (iv) the reasons for the restriction.

These details will be loaded in the National Treasury's central database of suppliers or persons prohibited from doing business with the public sector.

RFQ NO: 2022889. SUPPLY AND DELIVERY OF OFFICE FURNITURE FOR DMP AT NHLS SANDRINGHAM COMPUS

- 23.7 If a court of law convicts a person of an offence as contemplated in sections 12 or 13 of the Prevention and Combating of Corrupt Activities Act, No. 12 of 2004, the court may also rule that such person's name be endorsed on the Register for Tender Defaulters. When a person's name has been endorsed on the Register, the person will be prohibited

from doing business with the public sector for a period not less than five years and not more than 10 years. The National Treasury is empowered to determine the period of restriction and each case will be dealt with on its own merits. According to section 32 of the Act the Register must be open to the public. The Register can be perused on the National Treasury website.

24. Anti-dumping and countervailing duties and rights

- 24.1 When, after the date of bid, provisional payments are required, or antidumping or countervailing duties are imposed, or the amount of a provisional payment or anti-dumping

or countervailing right is increased in respect of any dumped or subsidized import, the State is not liable for any amount so required or imposed, or for the amount of any such increase. When, after the said date, such a provisional payment is no longer required or any such anti-dumping or countervailing right is abolished, or where the amount of such provisional payment or any such right is reduced, any such favorable difference shall on demand be paid forthwith by the contractor to the State or the State may deduct such amounts from moneys (if any) which may otherwise be due to the contractor in regard to supplies or services which he delivered or rendered, or is to deliver or render in terms of the contract or any other contract or any other amount which may be due to him

25. Force Majeure

- 25.1 Notwithstanding the provisions of GCC Clauses 22 and 23, the supplier shall not be liable for forfeiture of its performance security, damages, or termination for default if and to the extent that his delay in performance or other failure to perform his obligations under the contract is the result of an event of force majeure.
- 25.2 If a force majeure situation arises, the supplier shall promptly notify the purchaser in writing of such condition and the cause thereof. Unless otherwise directed by the purchaser in writing, the supplier shall continue to perform its obligations under the contract as far as is reasonably practical, and shall seek all reasonable alternative means for performance not prevented by the force majeure event.

26. Termination for insolvency

- 26.1 The purchaser may at any time terminate the contract by giving written notice to the supplier if the supplier becomes bankrupt or otherwise insolvent. In this event, termination will be without compensation to the supplier, provided that such termination will not prejudice or affect any right of action or remedy which has accrued or will accrue thereafter to the purchaser.

27. Settlement of Disputes

RFQ NO: 2022889. SUPPLY AND DELIVERY OF OFFICE FURNITURE FOR DMP AT NHLS SANDRINGHAM COMPUS

- 27.1 If any dispute or difference of any kind whatsoever arises between the purchaser and the supplier in connection with or arising out of the contract, the parties shall make every effort to resolve amicably such dispute or difference by mutual consultation.
- 27.2 If, after thirty (30) days, the parties have failed to resolve their dispute or difference by such mutual consultation, then either the purchaser or the supplier may give notice to the other party of his intention to commence with mediation. No mediation in respect of this matter may be commenced unless such notice is given to the other party.
- 27.3 Should it not be possible to settle a dispute by means of mediation, it may be settled in a South African court of law.
- 27.4 Mediation proceedings shall be conducted in accordance with the rules of procedure specified in the SCC.
- 27.5 Notwithstanding any reference to mediation and/or court proceedings herein,
(a) the parties shall continue to perform their respective obligations under the contract unless they otherwise agree; and
(b) the purchaser shall pay the supplier any monies due the supplier.

28. Limitation of liability

- 28.1 Except in cases of criminal negligence or willful misconduct, and in the case of infringement pursuant to Clause 6;
(a) the supplier shall not be liable to the purchaser, whether in contract, tort, or otherwise, for any indirect or consequential loss or damage, loss of use, loss of production, or loss of profits or interest costs, provided that this exclusion shall not apply to any obligation of the supplier to pay penalties and/or damages to the purchaser; and
(b) the aggregate liability of the supplier to the purchaser, whether under the contract, in tort or otherwise, shall not exceed the total contract price, provided that this limitation shall not apply to the cost of repairing or replacing defective equipment.

29. Governing Language

- 29.1 The contract shall be written in English. All correspondence and other documents pertaining to the contract that is exchanged by the parties shall also be written in English.

30. Applicable law

- 30.1 The contract shall be interpreted in accordance with South African laws, unless otherwise specified in SCC.

31. Notices

RFQ NO: 2022889. SUPPLY AND DELIVERY OF OFFICE FURNITURE FOR DMP AT NHLS SANDRINGHAM COMPUS

- 31.1 Every written acceptance of a bid shall be posted to the supplier concerned by registered or certified mail and any other notice to him shall be posted by ordinary mail to the address furnished in his bid or to the address notified later by him in writing and such posting shall be deemed to be proper service of such notice
- 31.2 The time mentioned in the contract documents for performing any act after such aforesaid notice has been given, shall be reckoned from the date of posting of such notice.

32. Taxes and duties

- 32.1 A foreign supplier shall be entirely responsible for all taxes, stamp duties, license fees, and other such levies imposed outside the purchaser's country.
- 32.2 A local supplier shall be entirely responsible for all taxes, duties, license fees, etc., incurred until delivery of the contracted goods to the purchaser.
- 32.3 No contract shall be concluded with any bidder whose tax matters are not in order. Prior to the award of a bid the Department must be in possession of a tax clearance certificate, submitted by the bidder. This certificate must be an original issued by the South African Revenue Services.

33. National Industrial Participation (NIP) Programme

- 33.1 The NIP Program administered by the Department of Trade and Industry shall be applicable to all contracts that are subject to the NIP obligation.

34 Prohibition of Restrictive practices

- 34.1 In terms of section 4 (1) (b) (iii) of the Competition Act No. 89 of 1998, as amended, an agreement between, or concerted practice by, firms, or a decision by an association of firms, is prohibited if it is between parties in a horizontal relationship and if a bidder (s) is / are or a contractor(s) was / were involved in collusive bidding (or bid rigging).
- 34.2 If a bidder(s) or contractor(s), based on reasonable grounds or evidence obtained by the purchaser, has / have engaged in the restrictive practice referred to above, the purchaser may refer the matter to the Competition Commission for investigation and possible imposition of administrative penalties as contemplated in the Competition Act No. 89 of 1998.
- 34.3 If a bidder(s) or contractor(s), has / have been found guilty by the Competition Commission of the restrictive practice referred to above, the purchaser may, in addition and without prejudice to any other remedy provided for, invalidate the bid(s) for such item(s) offered, and / or terminate the contract in whole or part, and / or restrict the bidder(s) or contractor(s) from conducting business with the public sector for a period not exceeding ten (10) years and / or claim damages from the bidder(s) or contractor(s) concerned.

RFQ NO: 2022889. SUPPLY AND DELIVERY OF OFFICE FURNITURE FOR DMP AT NHLS SANDRINGHAM COMPUS

The above General Conditions of Contract (GCC) are accepted by:

Name:	
Designation:	-
Bidder:	
Signature:	
Date:	